



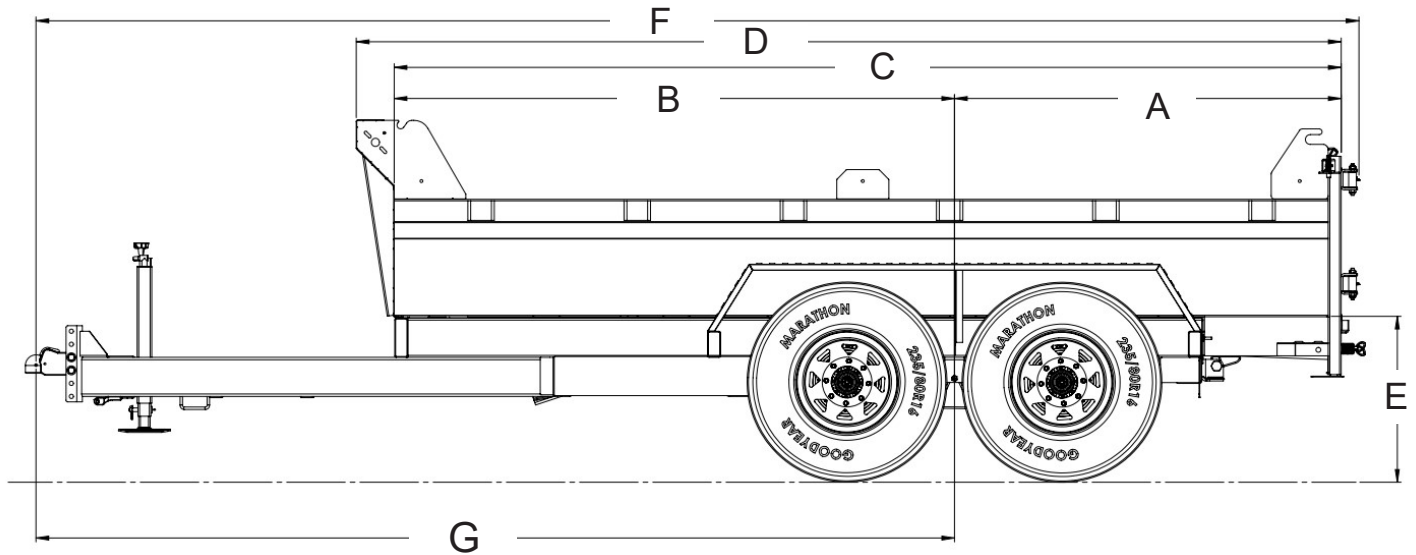
### Standard Features

- Stake Pockets
- Scissor Hoist – Power Up / Power Down
- Adjustable Coupler
- Aluminum Toolbox
- 110V Battery Charger
- 10W Solar Panel
- PPG DTM 2 Part Epoxy Paint
- Fully Enclosed Wiring
- HSS Structural Tubing
- Engineered Sill Design
- Spare Tire\*
- Galvanized Steel Slide in Ramps\*
- Roll Up Tarp\*
- Rear Drop Down Stabilizer Jacks\*
- Side Boards\*

\*Dealer Specific Options

### Specifications

<b>Axle:</b>	(2) 7,000 lb. Lippert Spring	<b>Floor &amp; Wall:</b>	12ga Floor / 14ga Wall
<b>Hoist:</b>	Champion CS412T 7 Ton	<b>Frame:</b>	6 X 2 HSS
<b>Jack:</b>	7,000 lb. Top-Wind Bolted	<b>Lights:</b>	LED
<b>Ramp:</b>	(2) 4,000 lb. Midspan Ramps (65 lbs. each)	<b>Electric Plug:</b>	7 Wire RV
<b>Wheels:</b>	235/80R16 E Steel	<b>Safety Chains:</b>	16,200 lb.
<b>Tailgate:</b>	Steel Barn Door	<b>Paint Specs:</b>	PPG 2-Part Epoxy DTM
<b>Coupler:</b>	21,000 lb. Demco Adjustable	<b>Dump Angle:</b>	45°



## Dimensions

Model	A	B	C	D	E	F	G	Box Width
SL612-14K	59 1/4"	86 1/4"	145 1/2"	151 1/4"	24 1/2"	203 1/2"	141 1/8"	74"

Model	Description	Net Weight	GVWR	Payload Cap.
SL612-14K	6' x 12' 14,000 lb. Tandem Axle Black/Charcoal	2,640 lb.	15,400 lb.	12,760 lb.



Specs are subject to change without notice. Please contact Southland Trailers Product Specialist for price confirmation on all Products. - Revised June 2025